

✓ Do you need a drinking (cold water) storage cistern?

A wholesome water storage cistern can be installed for various reasons including:

- To provide backflow protection
- To provide a reserve supply in the event of any disruption to the incoming cold water supply
- To reduce the maximum demand on the cold water supply
- To reduce the supply pressure

✓ Is notification required?

In many cases the local water undertaker will need advanced notification, this is an important simple and essential check to minimise the risk to water supplies both on site and in the wider community. Further information can be found [here](#).

✓ Is the cistern of an appropriate quality and standard, and suitable for installation?

All parts must be corrosion resistant and of an appropriate quality and standard i.e. conform to either the Regulators Specification or a British Standard.

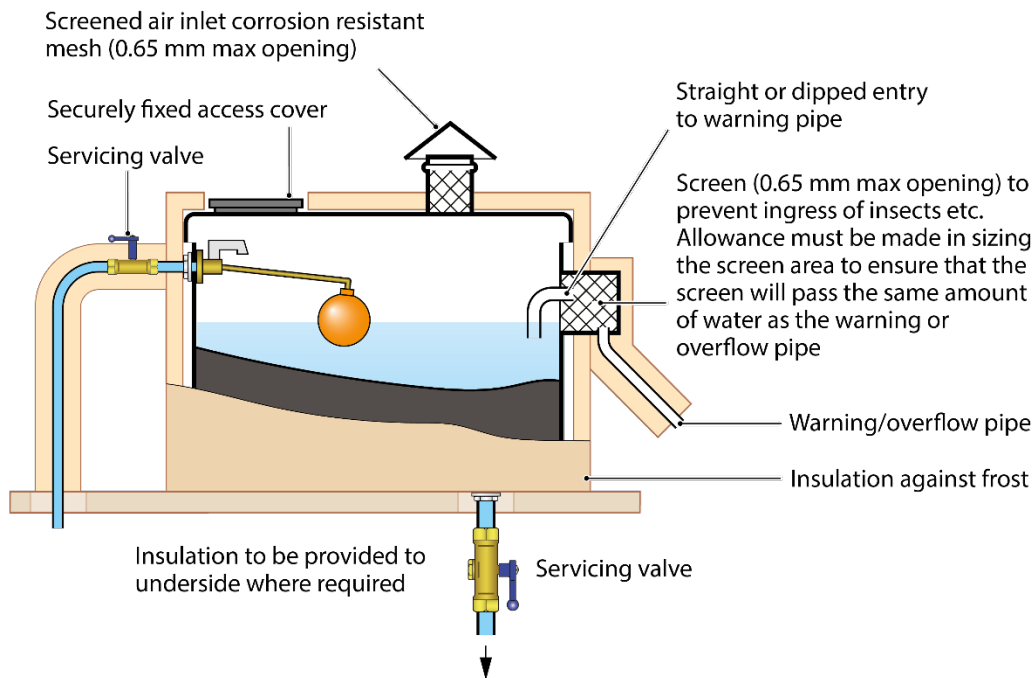
They must also be suitable for use, meaning:

- All any materials in contact with the water must be for use with wholesome water. For example, non-metallic materials, including any surface where condensate forms, must conform to BS 6920 (or an equivalent).
- Cisterns should be watertight and where appropriate lined or coated with suitable impermeable materials.
- In addition to an inlet, outlet, overflow pipe and warning arrangement a cistern should have a rigid close fitting and securely fixed lid or cover. Cisterns, and their lids, should be made of materials which do not shatter or fragment when broken.

✓ Is the cistern the right size ?

To ensure it remains wholesome it is important water is stored for as short a period as possible, so correctly sizing the cisterns is critical.

Factors which should be considered when sizing a cistern include occupancy (intended and actual) and usage. Suggestions for storage capacity are given in [BS EN 806-2](#).



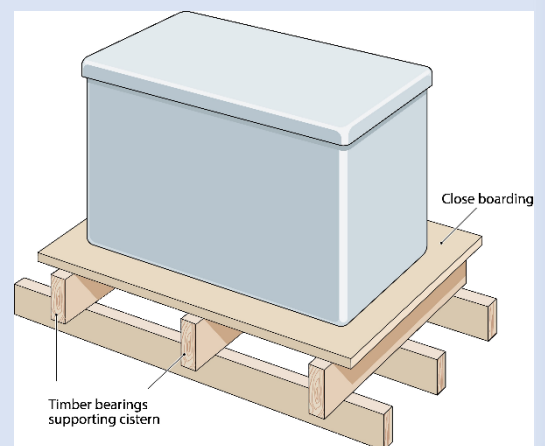
How should a cold water storage cistern be installed ?

Things to consider when deciding where and how to install include, but are not limited to:

- whether the distributing pipework is to be pumped or supplied by gravity
- the need to allow for ease of access to the cistern for maintenance, inspection (both internally and externally) and cleaning.
- environmental factors which might affect water quality such as excessive heat gain or the likelihood of flooding.

Float operated valves and other controls should be readily accessible. There should be sufficient clearance to allow for inspection, cleaning of internal surfaces and maintenance. Cisterns with a capacity greater than 1,000 litres should be capable of being inspected and cleansed without having to be wholly uncovered.

To avoid distortion cold water storage cisterns should be adequately supported. Advice on how to do this can be found in Part G of the Building Regulations.



Please note other requirements apply refer to the Water Regs UK website for further information

<https://www.waterregsuk.co.uk>



This information is non-statutory intended as general advice only; it is subject to change. Conformity with this information should not be relied upon as guaranteeing compliance with the water fittings regulations/byelaws or no enforcement action will be taken by water undertakers. Water Regs UK accepts no liability for loss, indirect or consequential loss arising from or in connection with this document.