

Test Code Sheet Number	1	1	1	1	13
---------------------------------------	----------	----------	----------	----------	-----------

TEST CODE SHEET

1. TYPE OF TEST(S)

Checkvalve closing pressure (downstream checkvalve only).

2. WATER REGULATIONS REQUIREMENTS FOR FITTINGSSchedule 2

15-(1) every water system shall contain an adequate device or devices for preventing backflow of fluid from any appliance, fitting or process from occurring.

3. BRITISH STANDARDS OR WATER SPECIFICATION, DEEMED TO SATISFY WATER REGULATIONS REQUIREMENTS

3.1 Fittings with 'kitemarks' which are deemed to satisfy the requirements of regulations are listed in the directory.

4. TEST PROCEDURE

Note Unless otherwise stated the temperature of the test fluid shall be $20 \pm 10^{\circ}\text{C}$.

4.1 Tests applicable to the following:-

REDUCED PRESSURE ZONE (RPZ) VALVE BA
DN8 to DN250.
Devices for the prevention of contamination by backflow.

(A) **REDUCED PRESSURE ZONE (RPZ) VALVE BA** (Derived from prEN 12729. Clause 9.5.2)
DN8 to DN250.

TEST METHOD

APPARATUS The following apparatus is required.

A supply of water to achieve the test flow rates.

Sight glass

PROCEDURE The procedure shall be as follows:-

- (1) Set up the device to be tested as shown in Figure 15A. (Reference setting-up procedure 1-50-75).
The maximum inside diameter of the level tubes shall be 10 mm.
- (2) Admit water to the device so that a height "h1" of the water column in tube 'C' is obtained.
- (3) Isolate the device for 5 minutes (± 30 seconds).
- (4) Note the height difference $\Delta H1$.
- (5) Drain off a small amount of water downstream.
- (6) Isolate the device for 5 minutes (± 30 seconds)
- (7) Note the height difference $\Delta H2$. (See Figure 15B).

Test Code					
Sheet	1	1	1	1	13
Number					

Issue No: 2
Date of issue: July 2000

Sheet 2 of 2

5. ACCEPTANCE CRITERIA

The closing pressure of the check valve will be observed, if $\Delta H1$ and $\Delta H2$ remain > 70 cm, or 5 cm of water if a WRAS approved check valve EB is incorporated.

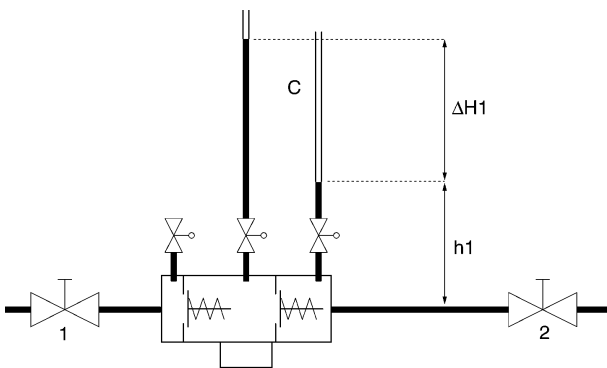


Figure 15A

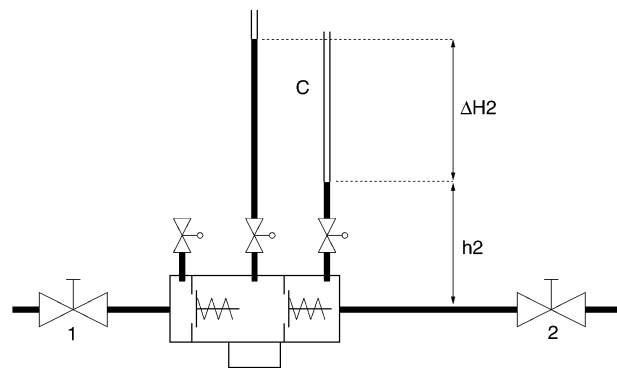


Figure 15B